

*'Feel
your Airport'*

Primary Cable is the Backbone

GE-RGL

Elevated Runway Guard Light

Standard compliance

ICAO

Aerodrome Design Manual
Annexe 14, Volume 1

EASA

CS-ADR-DNS Issue 6

STAC

SPE/SE/E/VIS/6008

IEC

61827

FAA

AC150/5345-46, EB67

Use

Elevated Runway Guard Light

Description

Low consumption dimmable LED light (EB67).

Compatible with existing AGL infrastructures (6,6A IEC/FAA CCRs, thyristor or IGBT).

Transformerless architecture with low inrush current and high power factor.

Cast aluminium body -UV-resistant powder coating.

Shared parts across the whole range of lights thanks to a modular design, to reduce spare references.

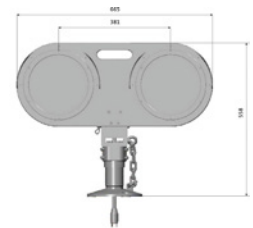
Open fail monitoring capability.

Surge protection.

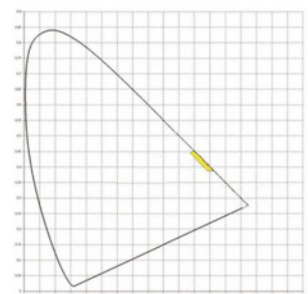
Technical Data

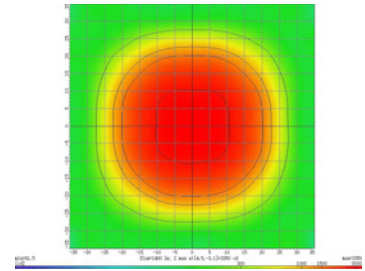
Environment	
Operating temperature	-55°C/+55°C
Storage temperature	-55°C/+85°C
Protection index	IP68
Humidity	0%-100%
Mechanical	
Width	665mm
Height	558mm
Weight	14,3kg
Electrical	
Power Supply	2,8A - 6,6A
Max admissible current	12A
Power Consumption	<23W
Power factor	>97%
Life span	>80000H

Drawing



Chromaticity

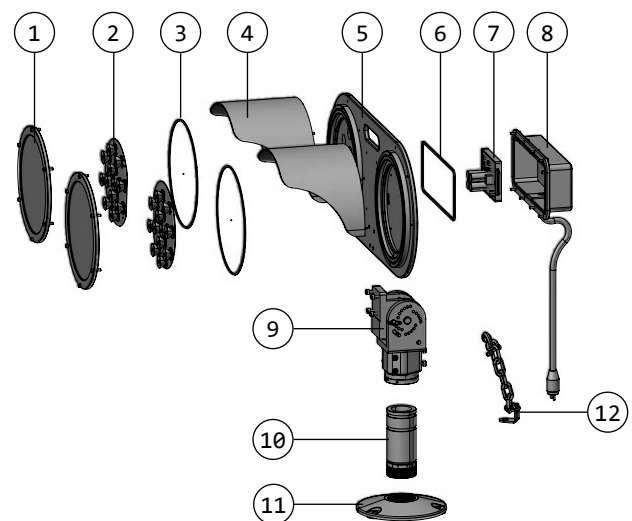




Yellow

Components and spare parts

Drawing Reference	Part	Code
1	Front glass module	ELEVEXT0000
3	Front seal ring for RGL	ELEVB0D0012
4 and 5	RGL body	ELEVB0D0013
9	Elevated RGL adjustment mechanism	ELEVB0D0014
-	LED connection cable 02	ELEVINT0000
8	Rear box and cable lead 50cm long	ELEVB0D0015
-	Electronic FOM module (5503)	LIACINT0000
6	Seal ring for rear box	ELEVINT0002
7	Driver module	LIACINT0007
2	LED light source Y1A0C	ELEVLEDY000
10	Breakable coupling	LIACINSEL01
11	Baseplate 187mm	LIACINSEL00
12	Support chain	ELEVEXT0000



Ordering Code

MONITORING

- 0 No
- 1 Fail open

GE-RGL - X





GRP Iluminación, S.A.U.

Calle de los Reyes Católicos, 6. Nave 102
28108 - Alcobendas (Madrid) - Spain / +34 91 327 19 66



GRP

www.grp-airsys.com