

*'Feel  
your Airport'*

*Primary Cable is the Backbone*

**GI-RCL**

*Inset Runaway Centreline Light*

## ICAO

Aerodrome Design Manual  
Annex 14, Volume 1

## EASA

CS-ADR-DNS Issue 5

## AENA

DIN/DSEYN/PPT/013-03/12

## STAC

SPE/SE/E/VIS/6008

## IEC

61827

## FAA

AC150/5345-46, EB67

Inset Runway  
Centreline Light

## Description

Low protrusion (3,5mm) 8" inset light.

Low consumption dimmable LED light (EB67).

Compatible with existing AGL infrastructures (6,6A IEC/FAA CCRs, thyristor or IGBT).

Transformerless architecture with low inrush current and high power factor.

Forged aluminium body.

Shared parts across the whole range of lights thanks to a modular design, to reduce spare references.

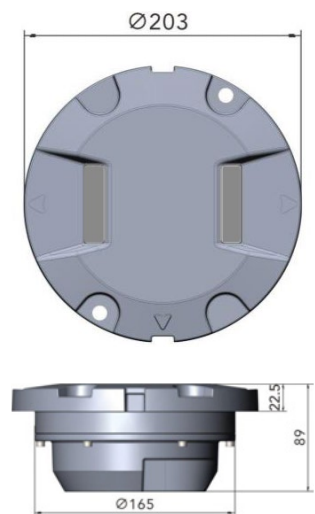
Open fail monitoring capability.

Surge protection.

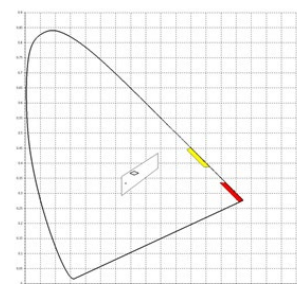
## Technical Data

Enviroment	
Operating temperature	-55°C/+55°C
Storage temperature	-55°C/+85°C
Protection index	IP68
Humidity	0%-100%
Mechanical	
Diameter	203mm
Protrusion	3,5mm
Height	89mm
Weight	2,8kg
Electrical	
Power Supply	2,8A - 6,6A
Max admissible current	12A
Power Consumption	<30W(WW), <20W(WR), <8W(RB), <17W(WB)
Power factor	>97%
Life span	>80000H

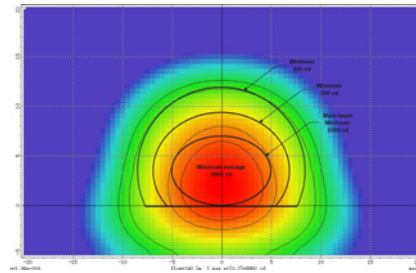
## Drawing



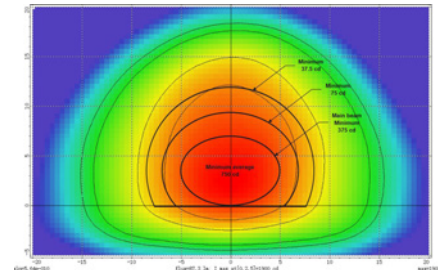
## Chromaticity



# Photometry



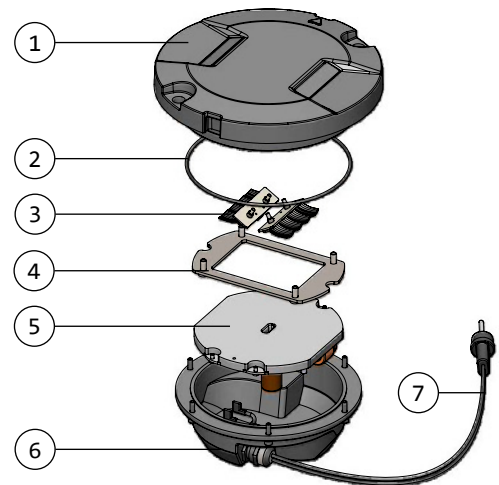
White



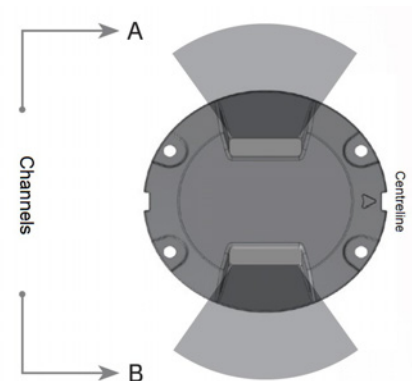
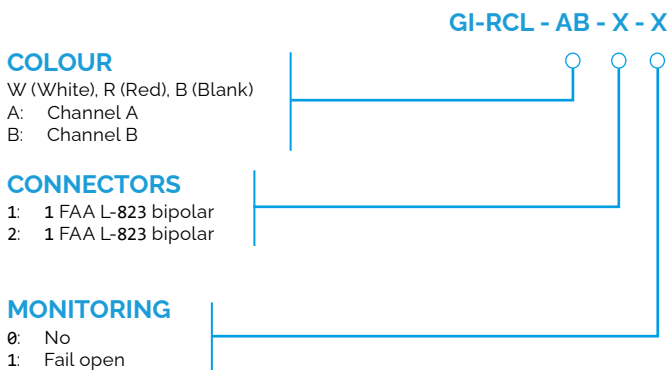
Red

## Components and spare parts

Drawing Reference	Part	Code
1, 2 and 4	8" inset unidi. top part, prism assembled	IN08TOP0000
6 and 7	8" inset bottom part, single	IN08BOT0000
-	LED connection cable 01	IN08INT0000
-	Label for white straight	LIACINTWS00
-	Label for red straight	LIACINTRS00
4	Prism support for 8" inset	IN08INT0001
2	Seal ring for 8" inset light fixture	IN08INT0002
-	Seal ring for 8" base type T	IN08EXT0000
-	Electronic FOM module (5503)	LIACINT0000
5	Driver module for 1 cable lead	LIACINT0002
5	Driver module for 2 cable leads	LIACINT0003
3	LED light source W0A0A	IN08LEDW000
3	LED light source R0A0A	IN08LEDR000
7	Light cable lead 40cm long with gland	LIAC0000000



## Ordering Code





**GRP Iluminación, S.A.U.**

Calle de los Reyes Católicos, 6. Nave 102  
28108 - Alcobendas (Madrid) - Spain / +34 91 327 19 66



**GRP**

[www.grp-airsys.com](http://www.grp-airsys.com)