

*'Feel
your Airport'*

Primary Cable is the Backbone

GI-TCL

Inset LED Taxiway Centreline Light

Standard compliance

ICAO

Aerodrome Design Manual
Annex 14, Volume 1

EASA

CS-ADR-DNS Issue 5

AENA

DIN/DSEYN/PPT/018-03/12

STAC

SPE/SE/E/VIS/6008

IEC

61827

FAA

AC150/5345-46, EB67

Use

Inset Taxiway
Centreline light

Description

Low protrusion (3,5mm) 8" inset light.

Low consumption dimmable LED light (EB67).

Compatible with existing AGL infrastructures (6,6A IEC/FAA CCRs, thyristor or IGBT).

Transformerless architecture with low inrush current and high power factor.

Forged aluminium body.

Shared parts across the whole range of lights thanks to a modular design, to reduce spare references.

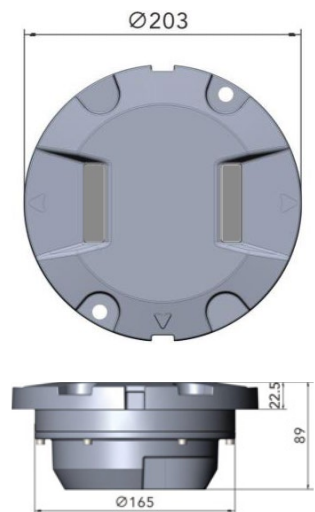
Open fail monitoring capability.

Surge protection.

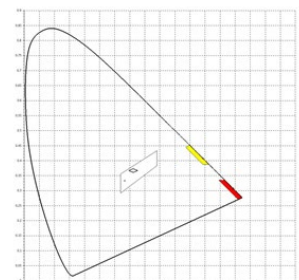
Technical Data

Environment	
Operating temperature	-55°C/+55°C
Storage temperature	-55°C/+85°C
Protection index	IP68
Humidity	0%-100%
Mechanical	
Diameter	203mm
Protrusion	3,5mm
Height	89mm
Weight	2,8kg
Electrical	
Power Supply	2,8A - 6,6A
Max admissible current	12A
Power Consumption	<10W
Power factor	>97%
Life span	>80000H

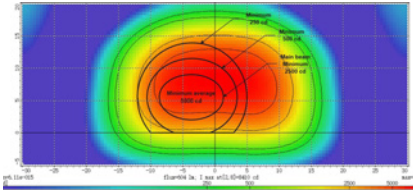
Drawing



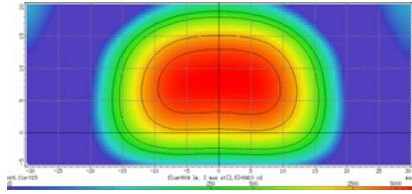
Chromaticity



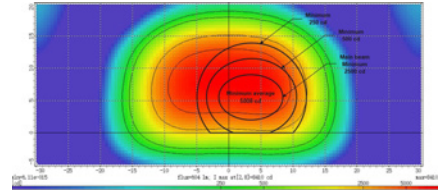
Photometry



White
(toe-in Left)



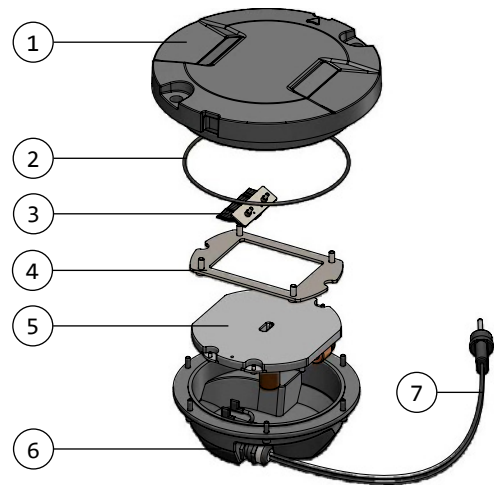
White
(Straight)



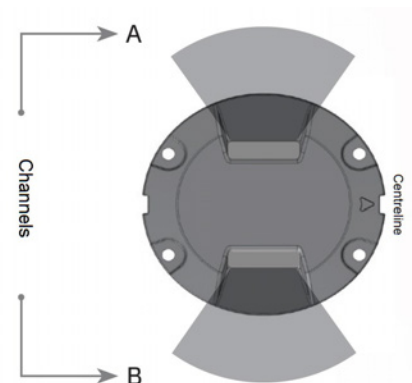
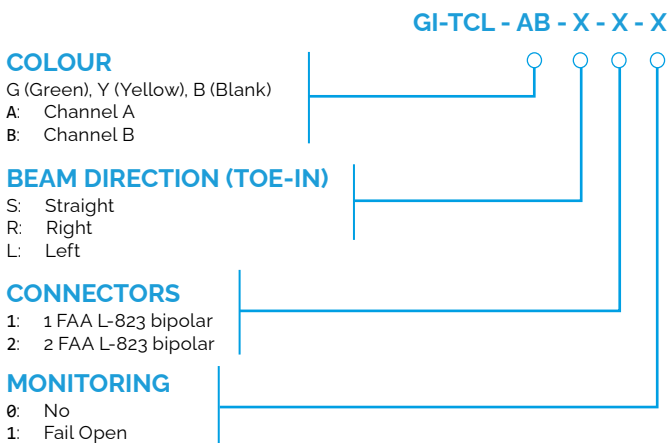
White
(toe-in Right)

Components and spare parts

Drawing Reference	Part	Code
1, 2 and 4	8" inset unidi. top part, prism assembled	IN08TOP0000
1, 2 and 4	8" inset bidi. top part, prisms assembled	IN08TOP0001
6 and 7	8" inset bottom part, single	IN08BOT0000
6 and 7	8" inset bottom part, dual	IN08BOT0001
-	LED connection cable 01	IN08INT0000
-	Label for yellow straight	LIACINTYS00
-	Label for yellow sides	LIACINTYC00
-	Label for green straight	LIACINTGS00
-	Label for green sides	LIACINTGC00
4	Prism support for 8" inset	IN08INT0001
2	Seal ring for 8" inset light fixture	IN08INT0002
-	Seal ring for 8" base type T	IN08EXT0000
-	Electronic FOM module (5503)	LIACINT0000
5	Drive module for 1 cable lead	LIACINT0002
5	Drive module for 2 cable leads	LIACINT0003
3	LED light source G0S0A	IN08LEDGS00
3	LED light source G0C0B I	IN08LEDGR00
3	LED light source G0C0B II	IN08LEDGL00
3	LED light source Y0S0B I	IN08LEDYR00
3	LED light source Y0S0B II	IN08LEDYL00
3	LED light source Y0S0A	IN08LEDYS00
7	Light cable lead 40cm long with gland	LIAC0000000



Ordering Code





GRP Iluminación, S.A.U.

Calle de los Reyes Católicos, 6. Nave 102
28108 - Alcobendas (Madrid) - Spain / +34 91 327 19 66



GRP

www.grp-airsys.com