



# *SGN by GRP*

*LED Airport Signs*

*'Feel  
your Airport'*

*Primary Cable is the Backbone*

# Compliance with Standards

- **ICAO**  
Aerodrome Design  
Manual Annexe 14,  
Volume 1
- **EASA**  
CS-ADR-DNS Issue 4
- **AENA**  
DIN/SEY/PPT/0022-02/12
- **STAC**  
SPE/SE/E/VIS/6009
- **IEC**  
61822  
61827
- **FAA**  
AC 150/5345-44

# Use

- Mandatory Instruction sign
- Information sign
- Location sign

# Technical Data

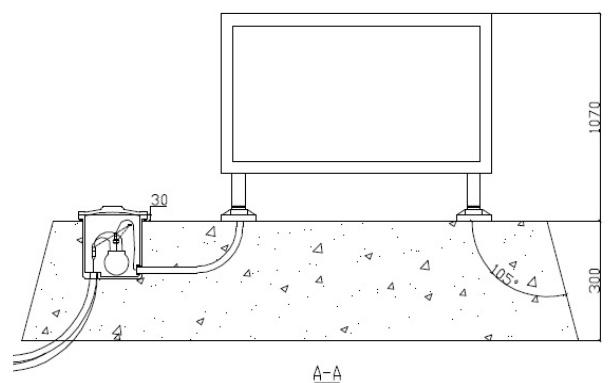
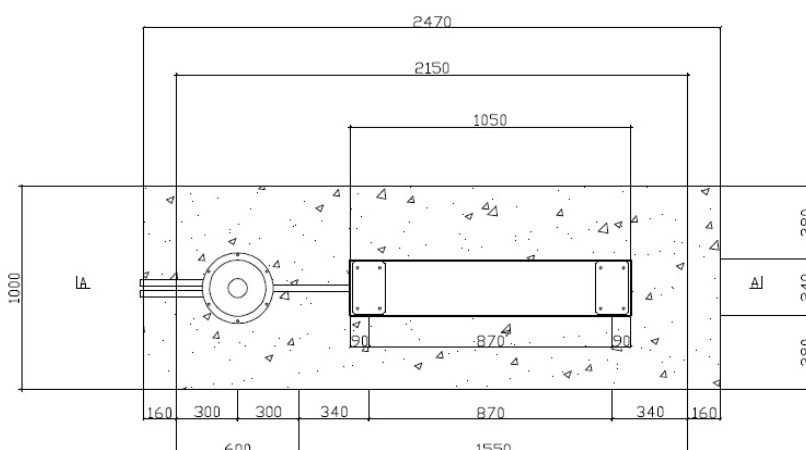
- **Temperature:** -55°C to +55°C
- **Power Supply:** 2, 8A to 6, 6A or 230Vac
- **Wind Load:** 322 km/h or 480km/h
- **Protection Index:** IP65

# Characteristics

- **SGN-GRP** sign are designed to match all ICAO and EASA requirements concerning airport Mandatory Instruction and Information signs.
- A light weight aluminium frame and heavy duty polycarbonate faces allow **long lasting performances** and **reliability**.
- **Easy installation and maintenance** thanks to a simple and effective design and a small number of internal parts.
- Easy face replacement. Face panels can also be opened in order to allow easy internal operation and cleaning
- Mooring chains are provided for safety enhancement.
- **LED monitoring** and feedback option is available.
- Embedded **sign collapse detection** monitoring is also available. This will allow airport operation to be aware of potential **FOD hazard**, should the sign be knocked down.



# Installation





## Power supply

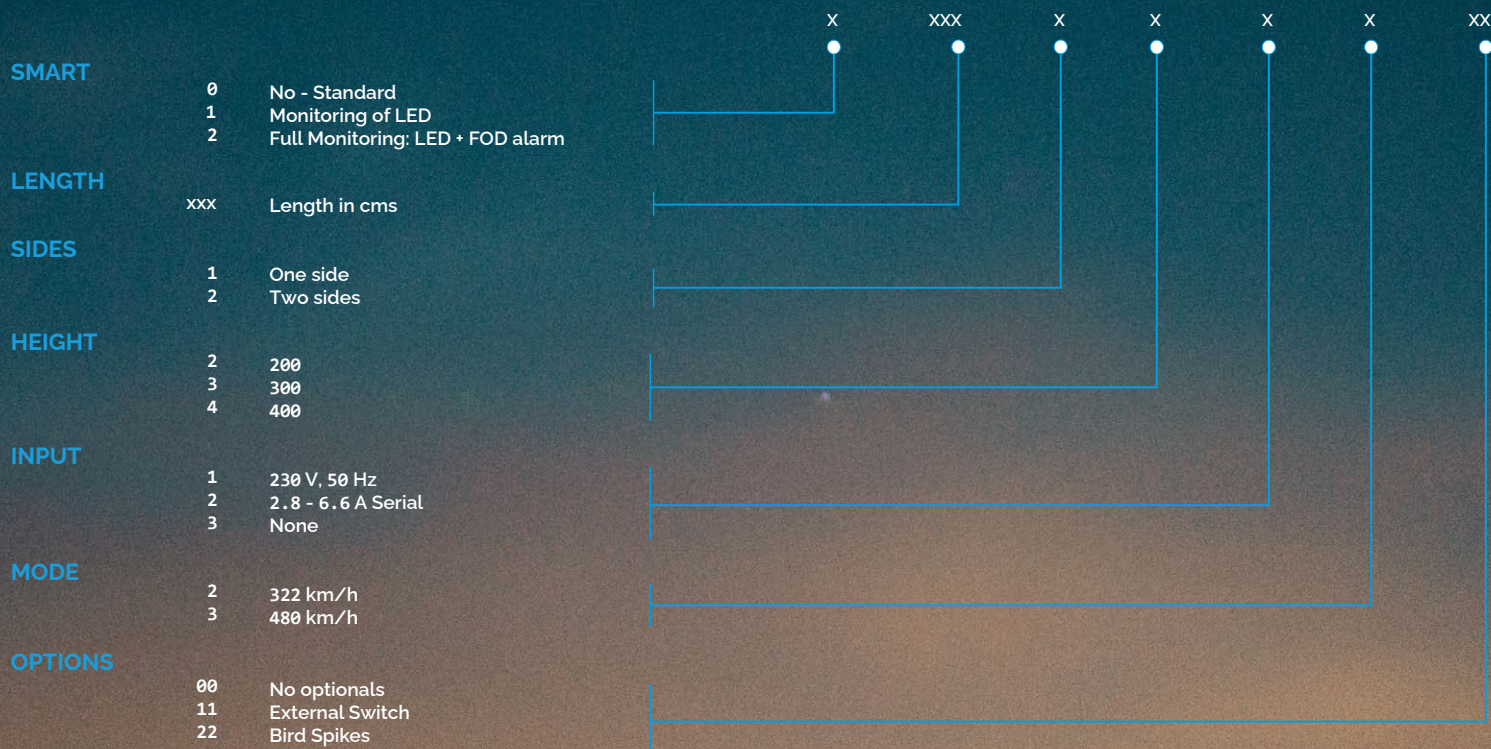
Sign length (mm)	Internal power consumption	IT
800	30W	65W
1000	46W	65W
1500	54W	100W
2000	75W	100W
2500	84W	150W
3000	91W	150W

## Spare Parts

Item	Description	GRP code
LED strip - 872mm	Osram LED/5W	817161
LED strip - 672mm	Osram LED/5W	817127
LED strip - 472mm	Osram LED/5W	817160
6.6A power supply unit	36V / 6.6A power supply	817125
230V power supply unit	230V power supply	817162
Flange	Base plate	817163

# Ordering code

SGN-GRP - SMART - LENGTH - SIDES - HEIGHT - INPUT - MODE - OPTIONS



**GRP Iluminación, S.A.U.**

Calle de los Reyes Católicos, 6. Nave 102  
28108 - Alcobendas (Madrid) - Spain / +34 91 327 19 66



**GRP**

[www.grp-airsys.com](http://www.grp-airsys.com)